

Wideband Systems, Inc.

www.wideband-sys.com

Advanced Signal Recording Products

DRS3300

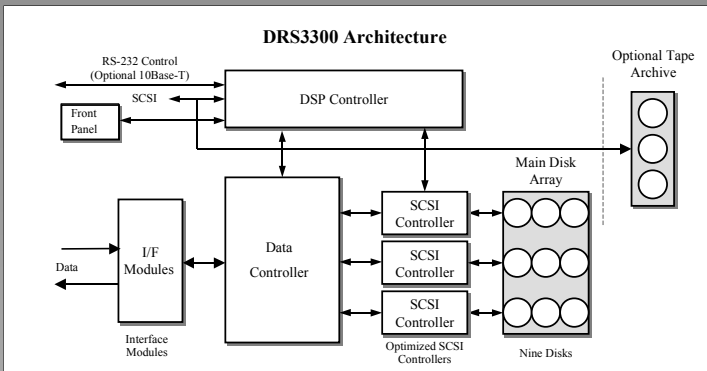
Digital Recording System
200+ Mbytes/sec

Key Features

- Sustained 200+ Mbytes/sec (1600 Mbps) record and playback rates
- Configurable performance: record rate and record length; parity mode
- Supports various interfaces and formats: LVDS, ECL/PECL, TTL, Serial FPDP, Telecom (PDH & SDH), PCM, 1553, Analog, Video and custom interfaces
- 3U Rackmount
- Local & remote control (opt. Ethernet)

Applications

- Real-time signal recording and playback: telemetry, sonar, radar, video, imagery, comms, SIGINT, ELINT, COMINT...



Wideband Systems, Inc. presents an upgraded product providing wide bandwidth real-time signal recording and playback. The DRS3300 is a flexible digital recording system employing high reliability hard drives and uniquely optimized controller electronics. The product offers configurable performance and interface options to support a wide range of customer requirements (analog and digital).

The standard configuration of the DRS3300 supports continuous recording of data at 200 Mbytes/sec for 54 minutes (72GB disks). Reducing the data rate extends the record time by a proportional amount. Longer recording time can be provided by configuring the unit with larger disks (144GB or 300GB).

The DRS3300 not only satisfies field and laboratory recording requirements but also can provide significant support for the analysis of signals during playback. The unique ability to directly access any segment of data within milliseconds and the ability to continuously loop through data makes the DRS3300 an ideal resource for signal analysts.

The DRS3300 supports the off-loading of data to external tape drives (archive and restore) and supports the direct transfer of data to/from a PC workstation. The recorder is controlled by a user-friendly front panel interface and remotely by an RS232 interface. Network control is optionally provided.

Wideband Systems, Inc. designs and manufactures sophisticated recording instruments for the aerospace, communications, and intelligence industries. In addition to our off-the-shelf products we offer design services and extensive customization to meet your demanding applications. We look forward to an opportunity to serve you.



Wideband Systems, Inc.

www.wideband-sys.com

Advanced Signal Recording Products

DRS3300

Digital Recording System
200+ Mbytes/sec

Specifications

- Dimensions: 5.25 x 19 x 23 inches
- Weight: 45 lbs.
- Temperature (op): 5 to 50 degs. C
- Humidity (op): 10% to 90%
- Temperature (non-op): -25 to 65 degs. C
- Humidity (non-op): 5% to 95%, non-cond.
- Power (VAC): 90-132/180-264 VAC
- Power (Hz.): 47 to 63 Hz.
- Power (Watts): <300 Watts

- Hard Disks (qty) Nine
- Hard Disks (size) 72, 144 or 300 Gigabytes
- Hard Disks (speed) 10K RPM

- Operator Interfaces Front Panel (see below)
RS-232
10BaseT (optional)
- Data Transfer Tape Archive/Restore
Host SCSI Port

- Limited Warranty One Year

Interface Options

- Analog Input/Output (1 Ch, 8-12 Bits, 100 MHz)
- Analog Input/Output (2 Chs, 8-14 Bits, 50 MHz)
- Analog Input/Output (4 Chs, 8 Bits, 50 MHz)
- Digital Input/Output (8/16/32 Bits ECL/PECL)
- Digital Input/Output (8/16/32 Bits LVDS)
- Digital Input/Output (8/16/32 Bits TTL)
- Mil-Std-1553 (multi-channel)
- Telemetry (0 to 40 Mbps PCM and Analog)
- Telecom (PDH, SDH, SONET)
- Parallel and Serial FPDP (FibreXtreme)
- DCRSi, DIR, Video and more

- Custom interfaces are available

Ordering Information

- Please contact our technical sales staff to configure your Digital Recording System. Each system can be tailored to meet your interface, control, and fault tolerance requirements.

Email: sales@wideband-sys.com

Front Panel Control: REC, STOP, & PLAY

Entry of Operating Parameters



Disk activity LEDs

Control Status Display